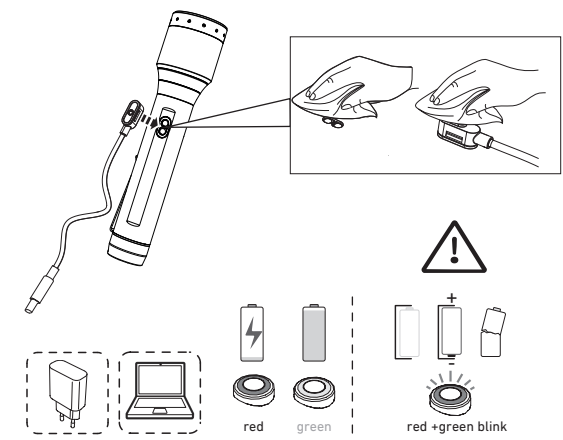
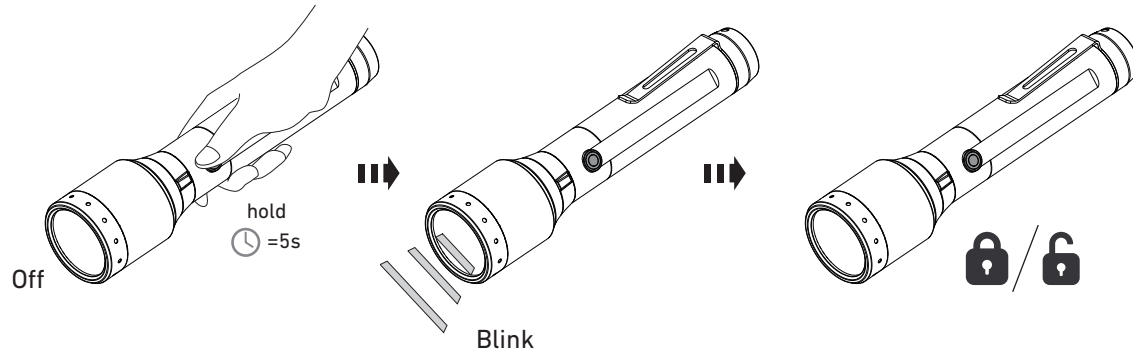


Battery Type: 21700  
Chemical System Of Battery: Li-ion

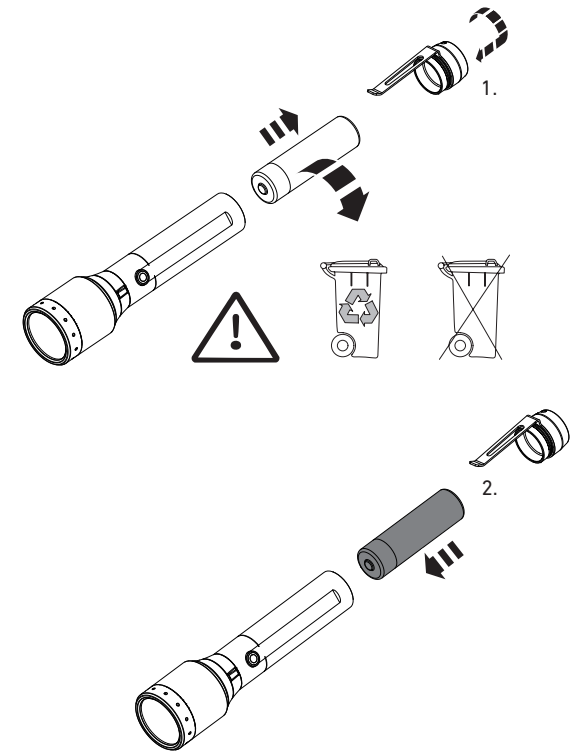
Magnetic Charging System



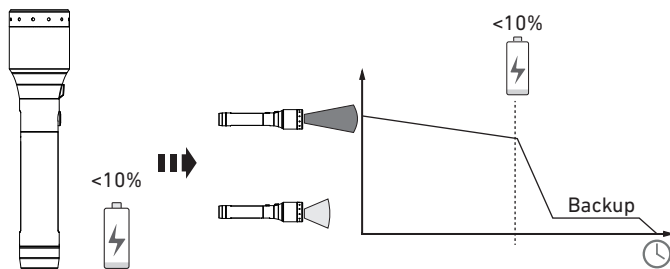
Transportation Lock( Mode 1/Mode 2/ Mode3)



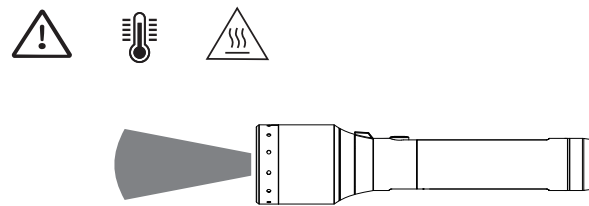
Battery Replacement



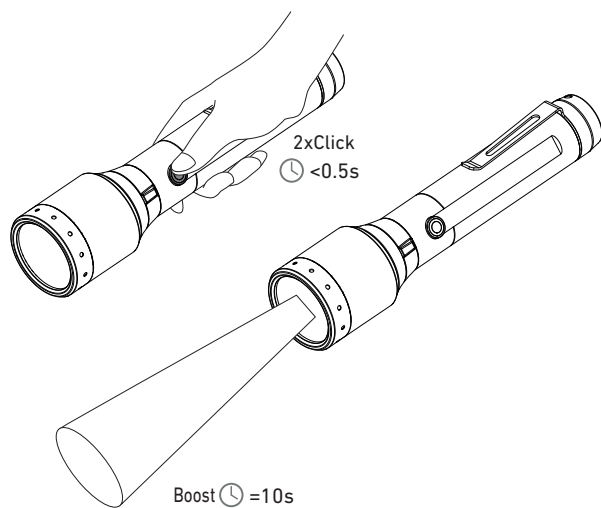
Backup Mode



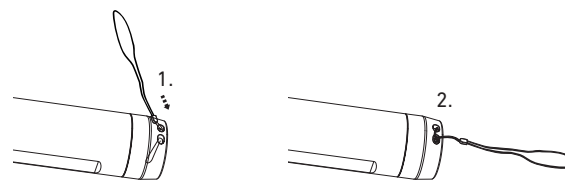
High Temperature



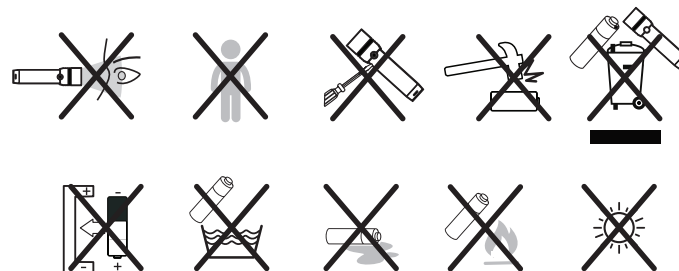
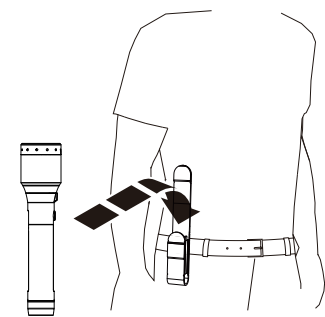
Boost



Lanyard



Pouch



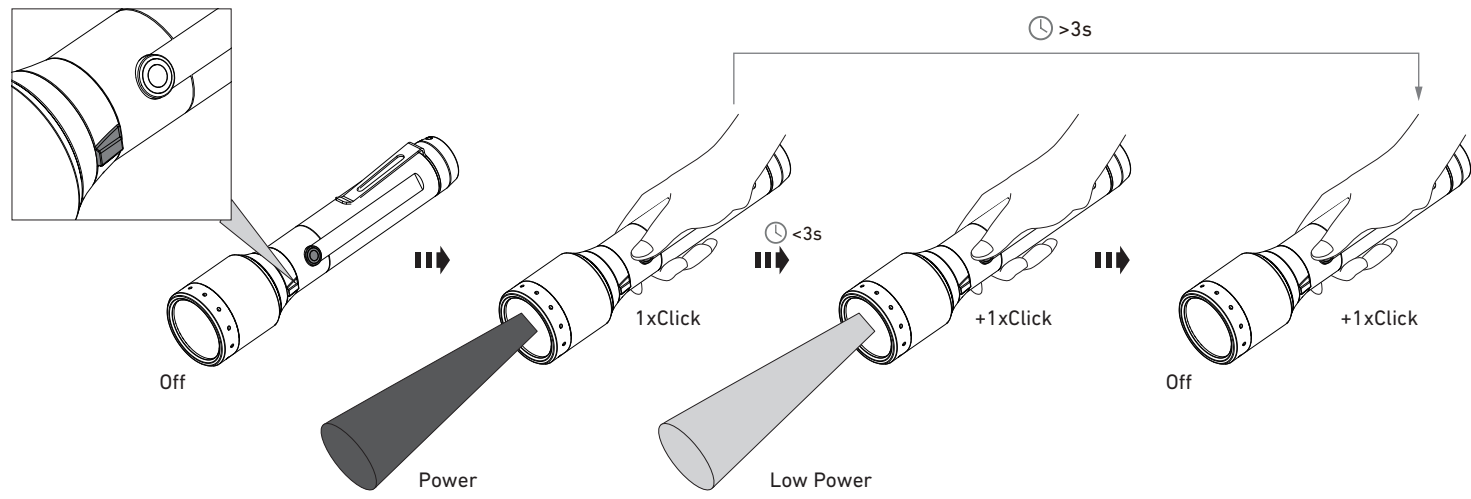
Ledsenser GmbH & Co. KG,  
Kronenstr. 5-7, 42699 Solingen, Germany  
Phone +49 212/5948-0 Fax +49 212/5948-200  
info@ledlenser.com



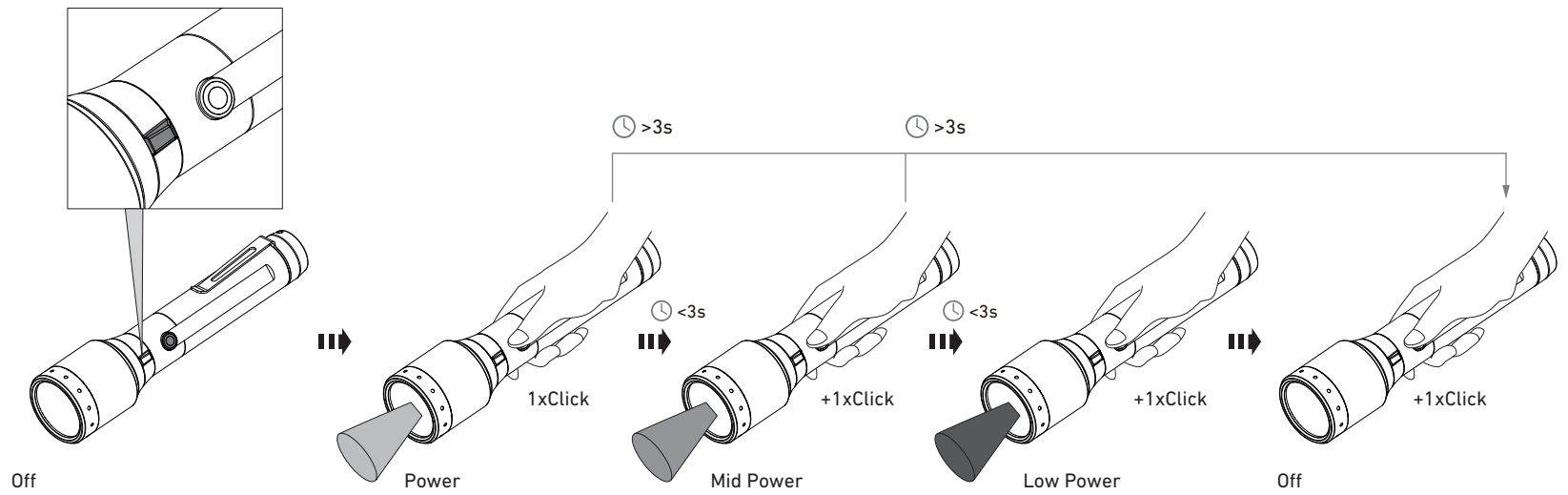
ledlenser.com



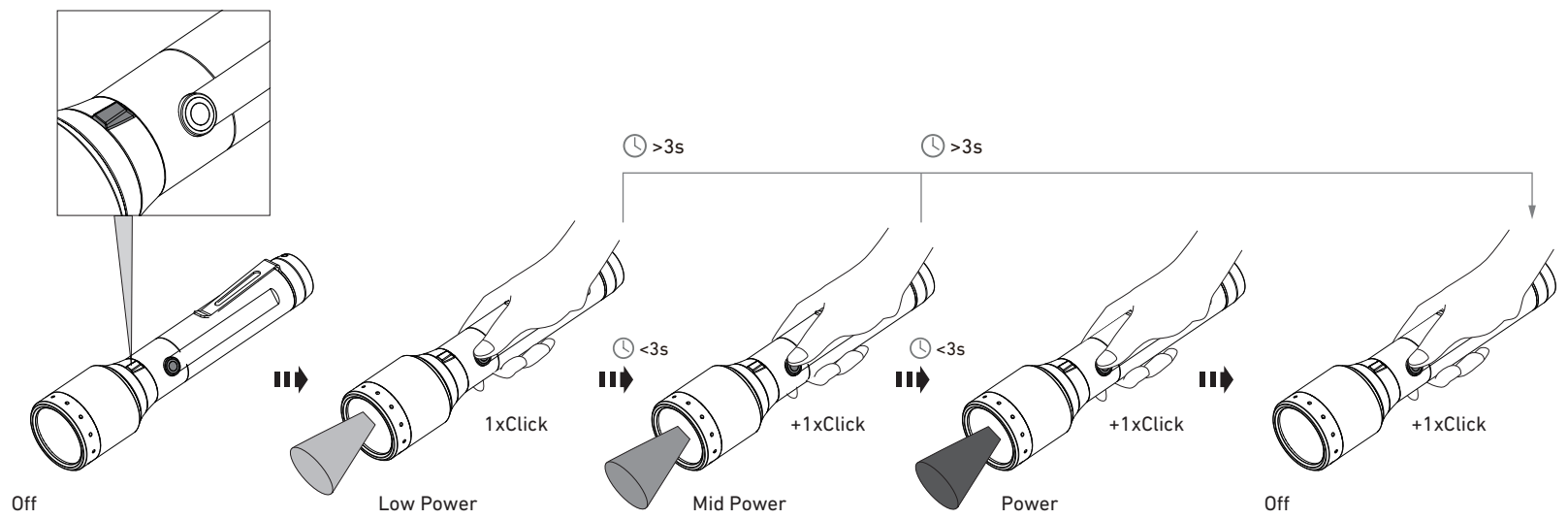
Mode 1/LEP



Mode 2/COB White



Mode 3/COB Red



Mode 4/LEP Momentary

