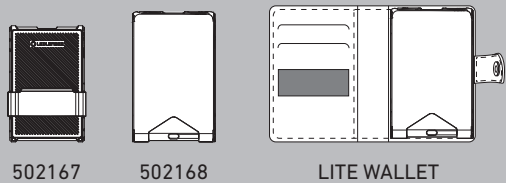
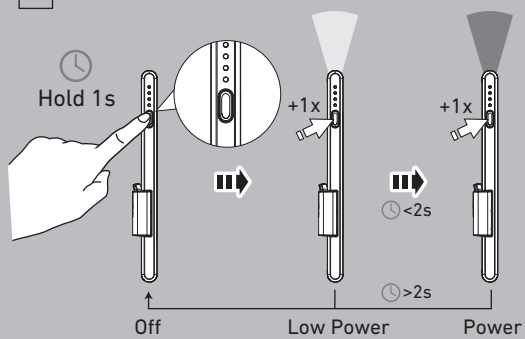


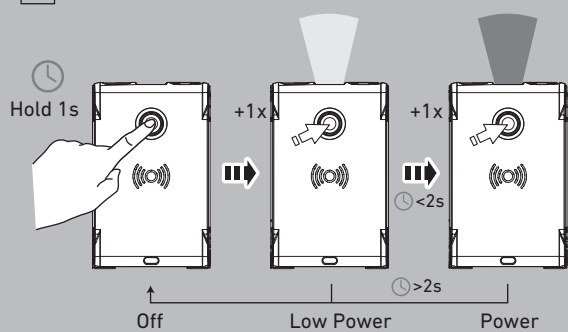
LEDLENSER Lite Wallet Series



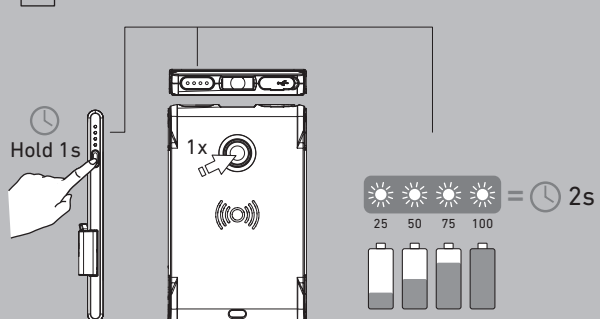
1



2

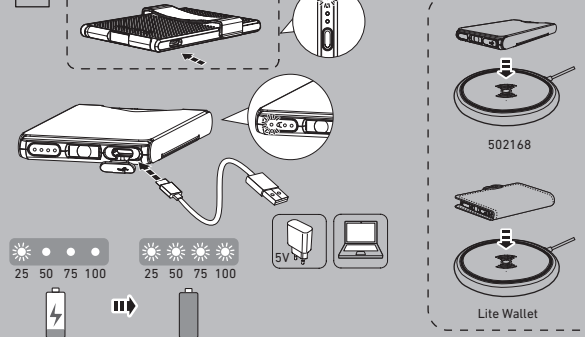


3

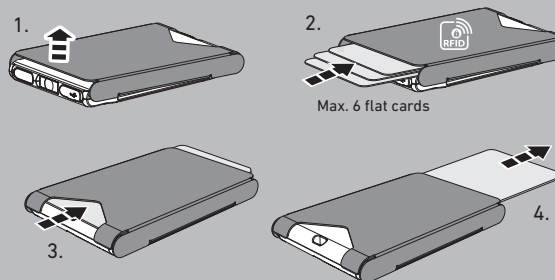


Front

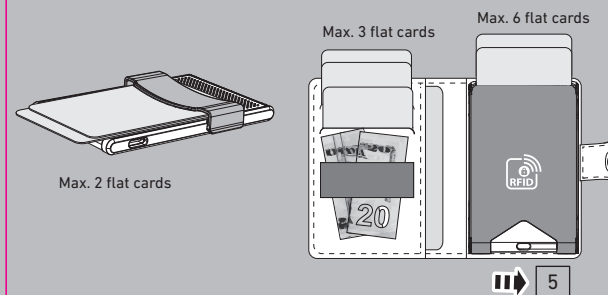
4



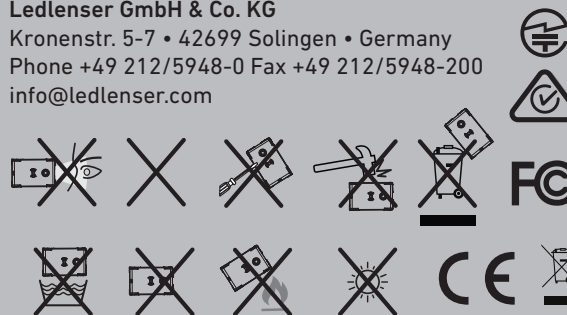
5



6



Ledlenser GmbH & Co. KG
Kronenstr. 5-7 • 42699 Solingen • Germany
Phone +49 212/5948-0 Fax +49 212/5948-200
info@ledlenser.com



1J12A0358 V.01

Back

Folding size: 84x53mm
Background: K30%