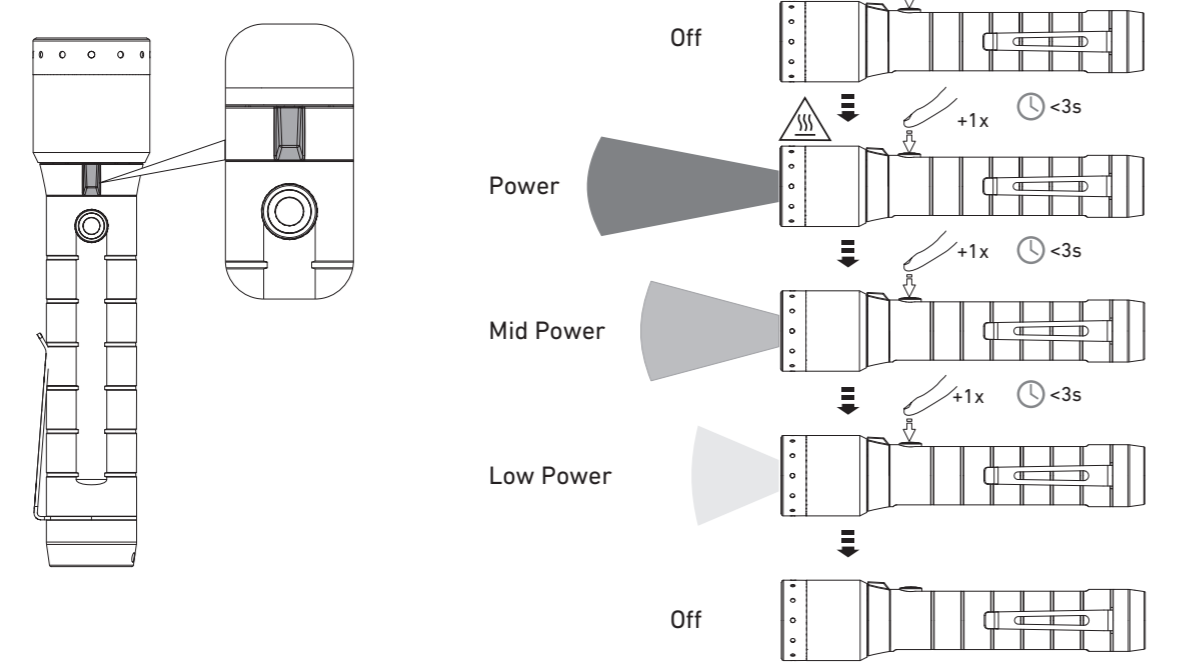
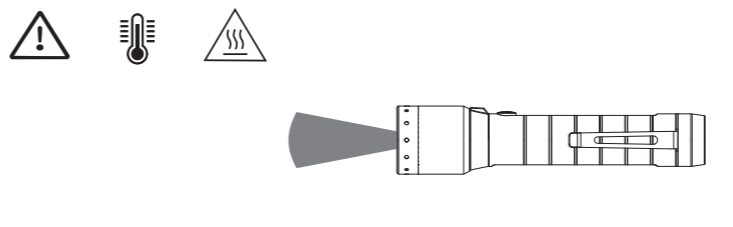


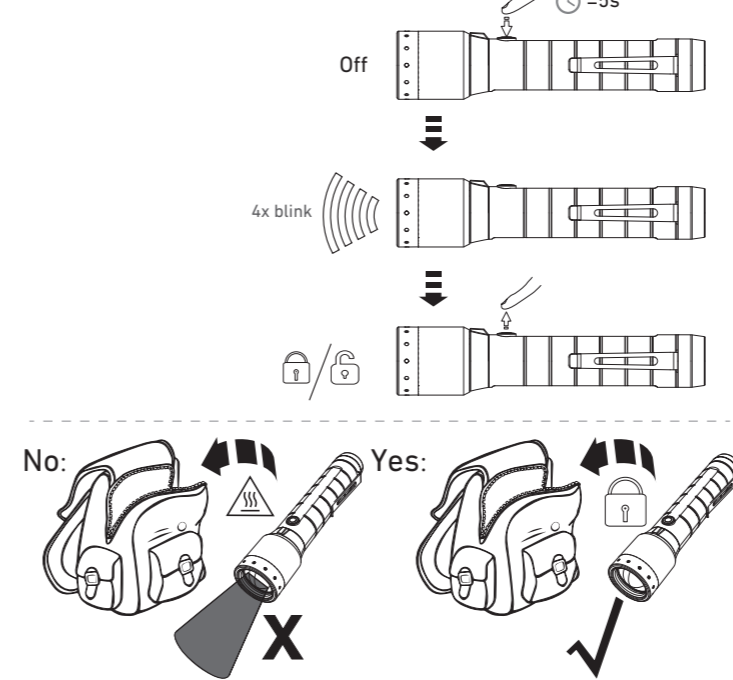
Default Operation



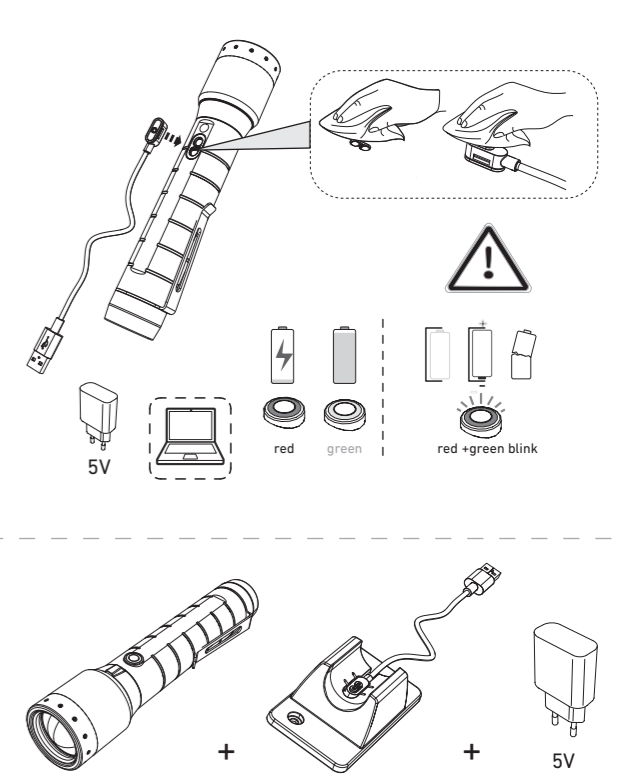
High Temperature



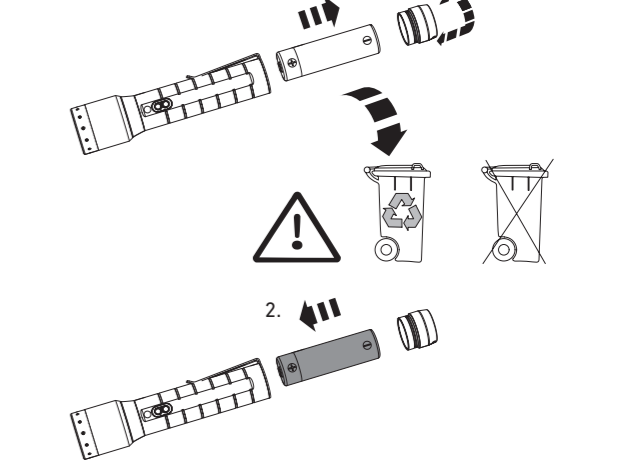
Transportation Lock



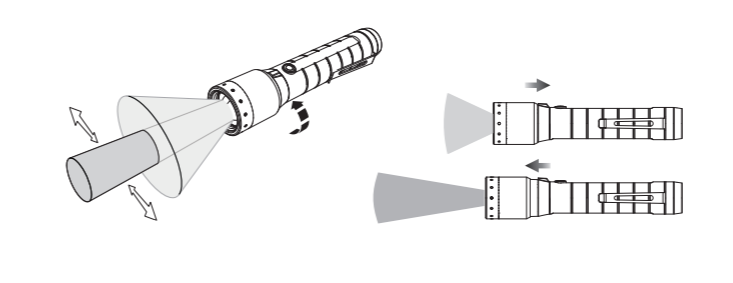
Magnetic Charging System



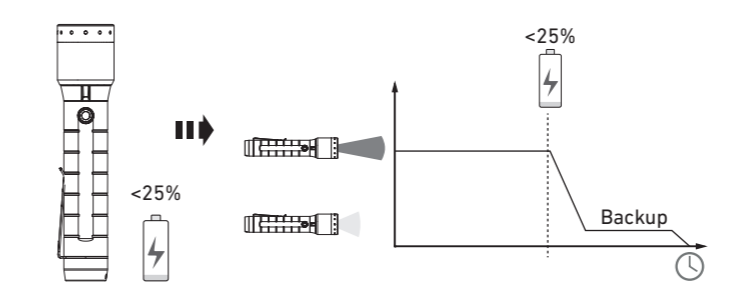
Battery Replacement



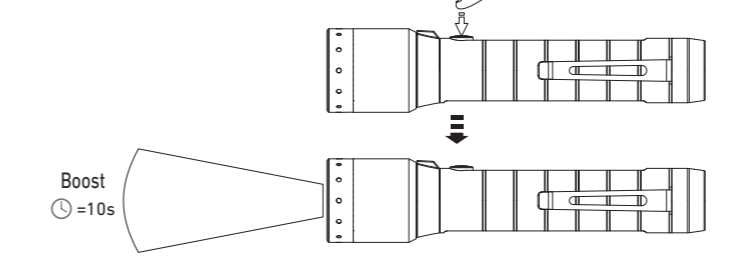
Advanced Focus System



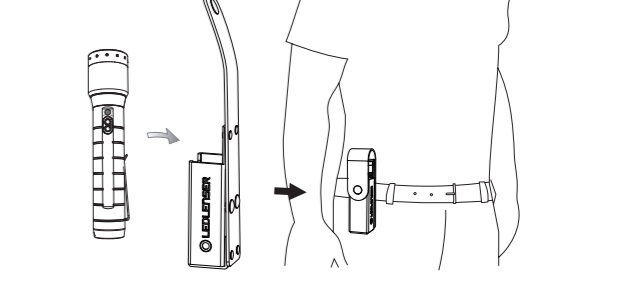
Backup Mode



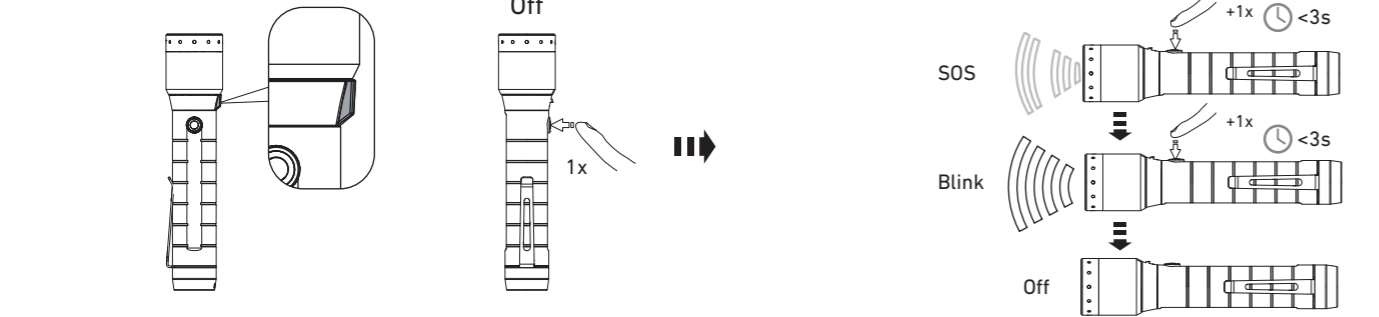
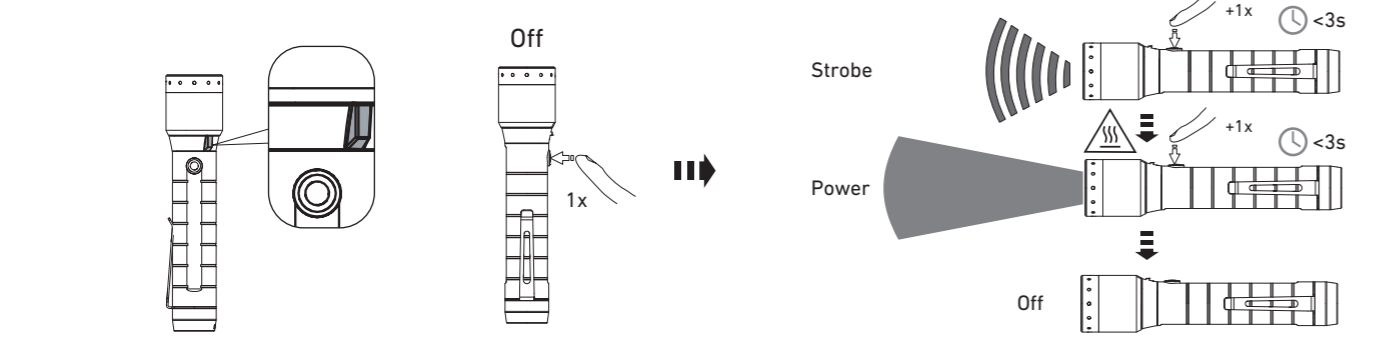
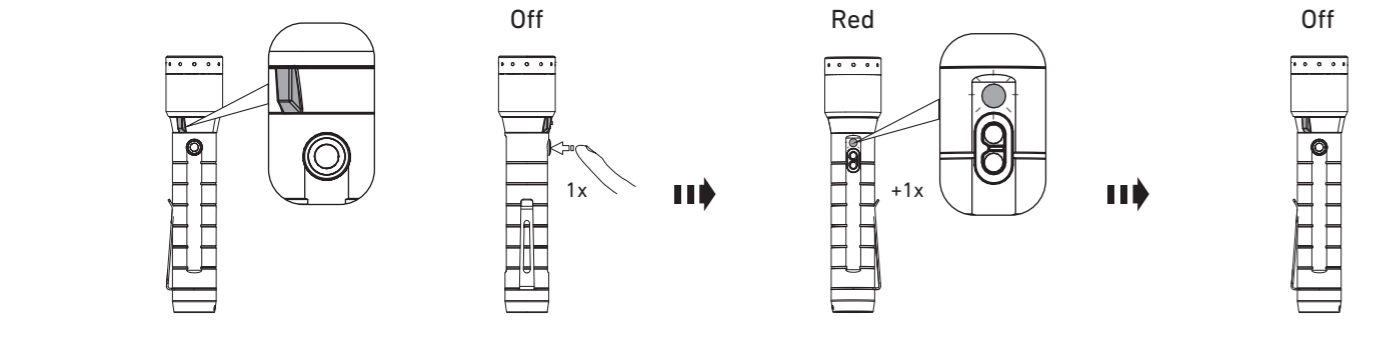
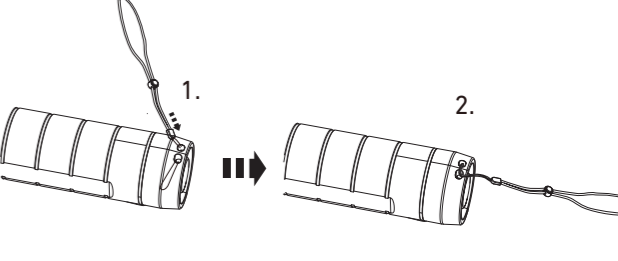
Boost



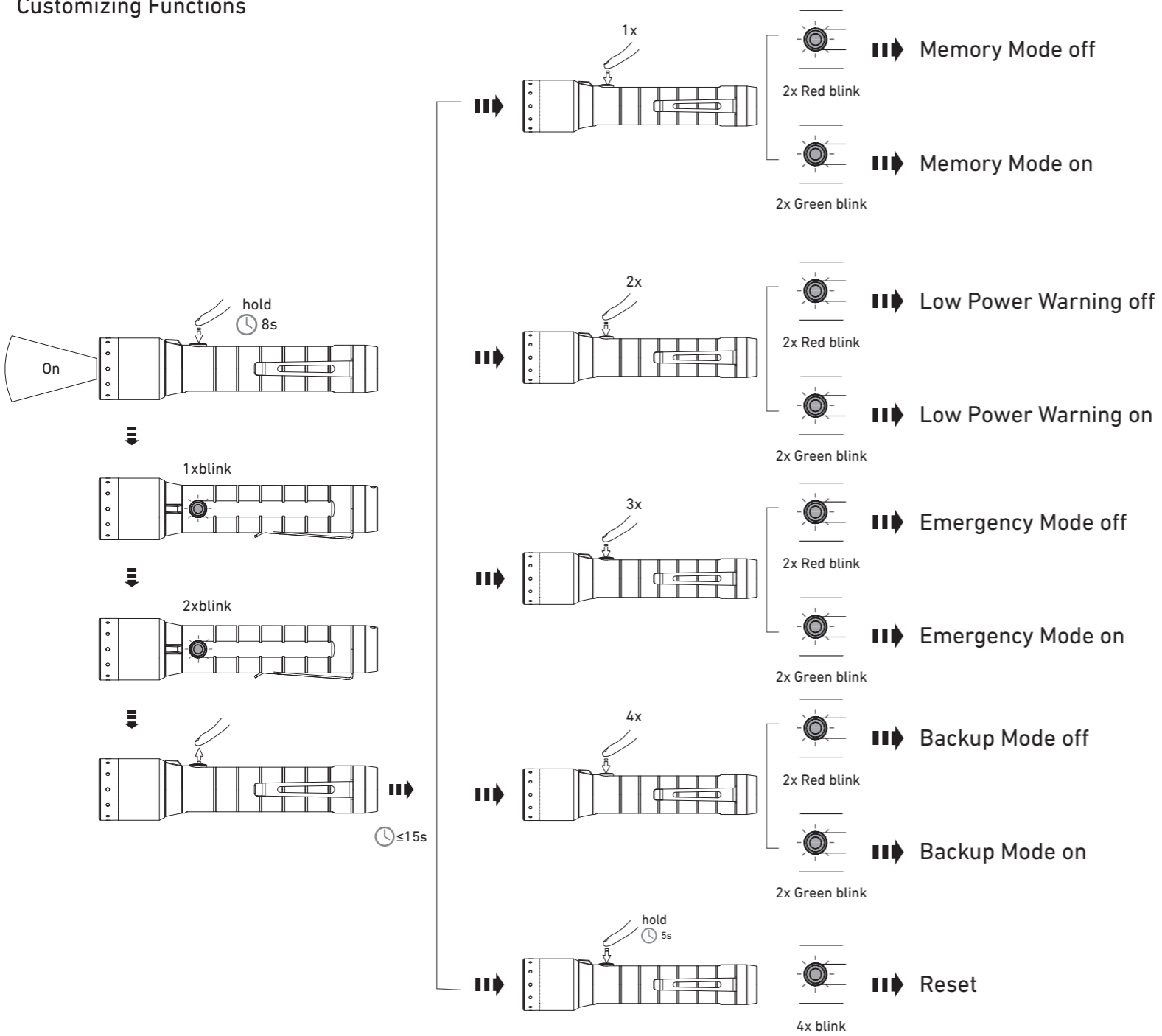
Pouch



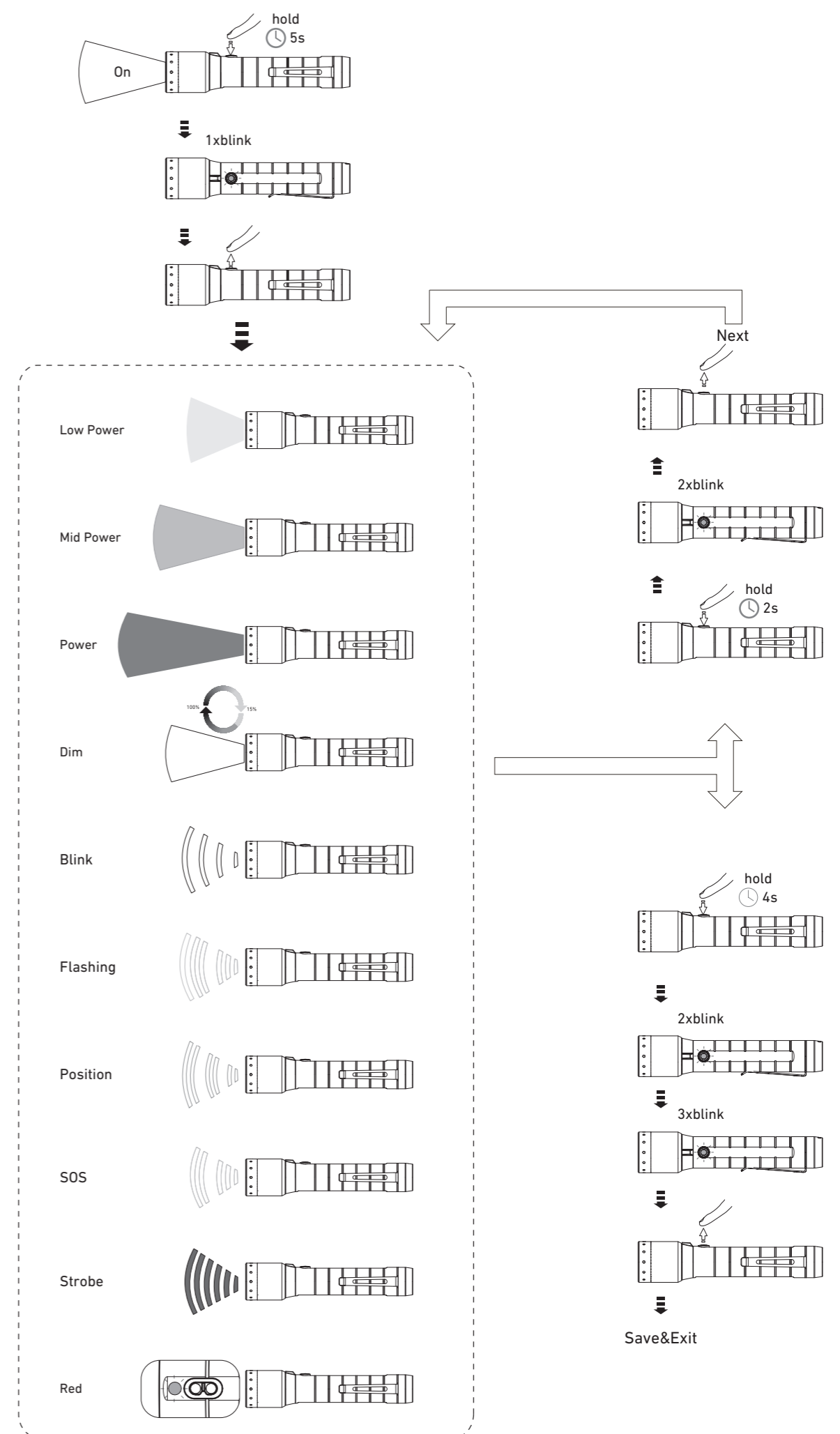
Lanyard



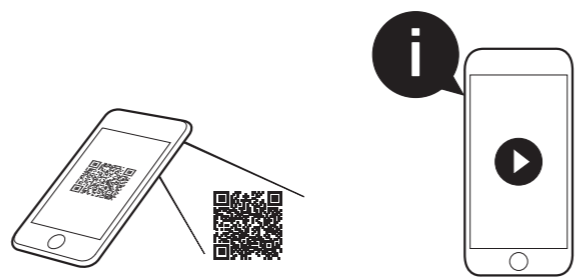
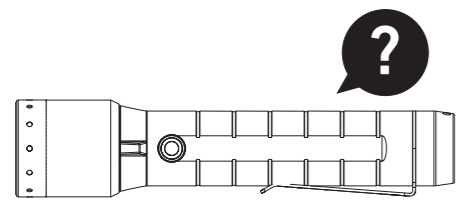
Customizing Functions



Customizing Light Modes



Further Information



Ledlenser GmbH & Co. KG
 Kronenstrasse 5-7 • 42699 Solingen • Germany
 Phone +49 212/5948-0 Fax +49 212/5948-200
 info@ledlenser.com



P6R_P7R_V02
 2021.07.06
 1J12A0485

