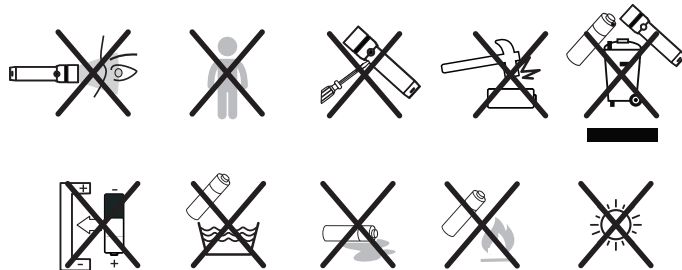
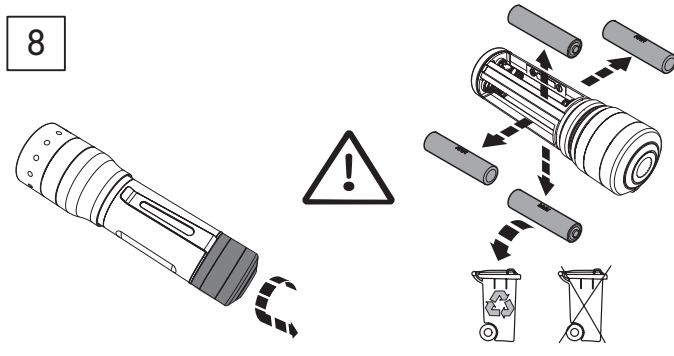
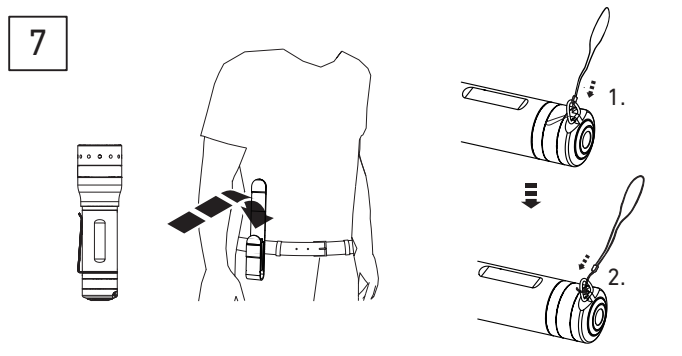
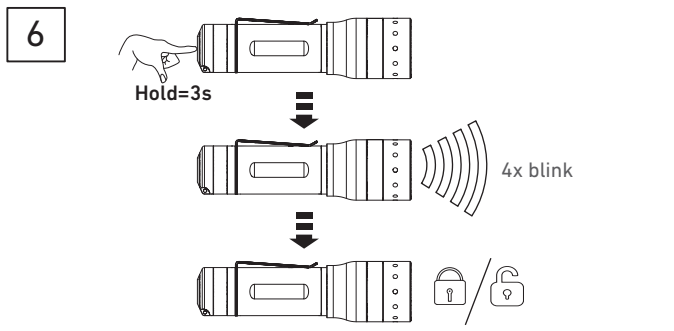
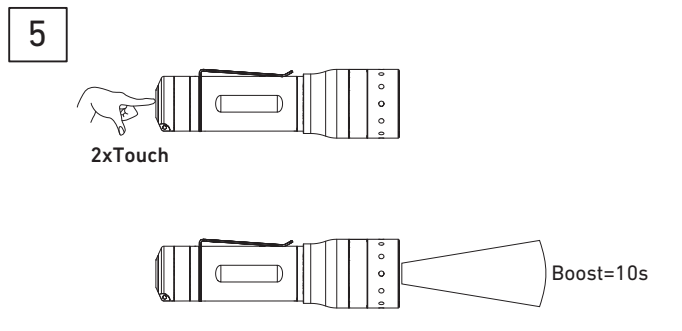
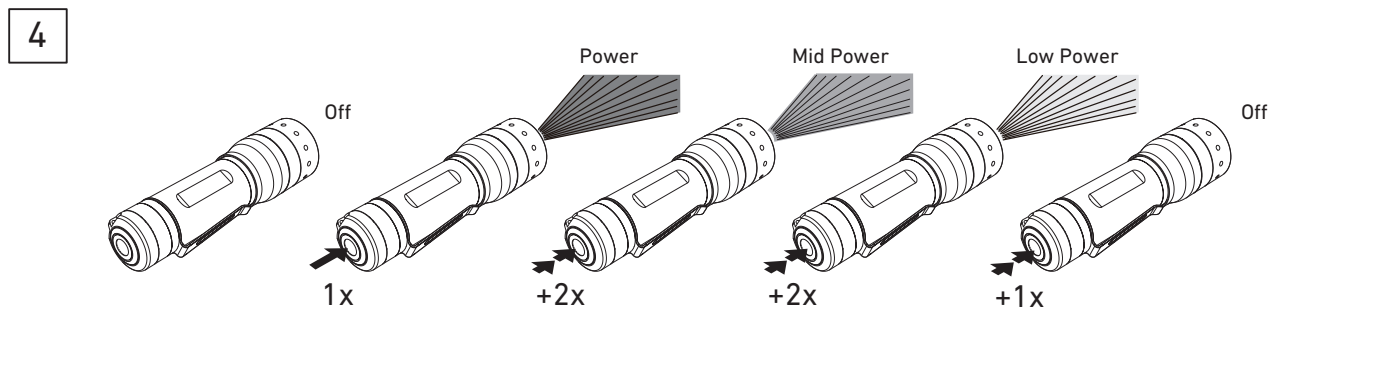
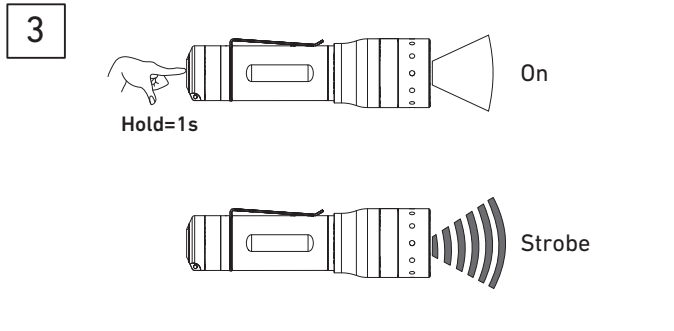
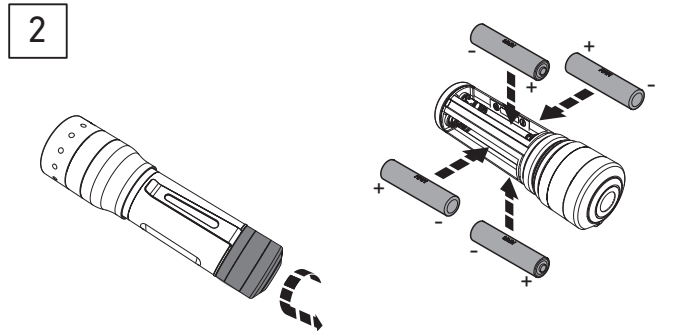
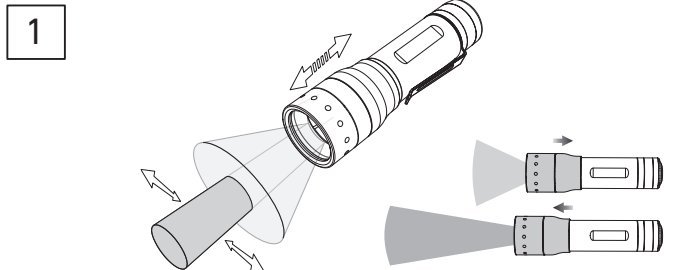
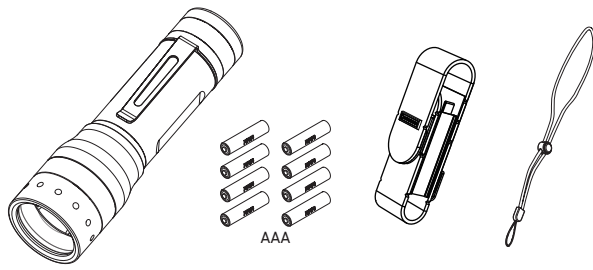


# LEDLENSER P7 SE

P7 SE



**Ledlenser GmbH & Co. KG**  
 Kronenstr. 5-7 • 42699 Solingen • Germany  
 Phone +49 212/5948-0 Fax +49 212/5948-200  
 info@ledlenser.com

ledlenser.com

CE

P7 SE\_QUG\_V0.1  
 16.07.2020  
 1J12A0393